

54cm stainless steel freestanding oven with fan forced oven, timer, light, separate electric grill and electric cooktop with ceramic glass.



Product Details

FEATURES

Ceramic stove top

Class-leading capacity

With 80L gross oven capacity, you can entertain guests and cook big family meals with absolute ease.

Handy separate grill

Now you can grill and bake at the same time while keeping different cooking flavours and smells apart.

Easy-clean convenience

Save time and elbow grease with specially formed shelf supports and acid-resistant enamel. Plus, the new removable glass door system allows for quick and easy cleaning and no trapped grease. With a Chef freestanding cooker, a simple wipe clean is all you need.

Modern stainless steel finish

Now available in a stylish stainless steel finish, you can enjoy a sleek built-in oven aesthetic with full glass doors and a grill in the oven.

BENEFITS

Easy clean ceramic

Not only does it look great, the durable glass surface on Chef ceramic cooktops is easy to clean, helping you to keep your kitchen looking its best

Class-leading capacity

Chef freestanding cookers have one of the largest cooking cavities and an 80L gross oven capacity for all your family meals. Plus, the separate grilling compartment means you can entertain guests and cook big family meals with absolute ease.

Modern stainless steel finish

Enhance the look of your kitchen with a Chef freestanding cooker. Now available in a stylish stainless steel finish, you can enjoy a sleek built-in oven aesthetic with full glass doors and a grill in the oven.

Easy clean convenience

Save time and effort with easy clean features such as the removable glass door system. This allows for quick and easy cleaning with no trapped grease. The specially formed shelf supports and acid-resistant enamel also allow for a simple wipe clean.

Built in Australia

Chef has been part of Australian homes for generations and the kitchen appliance brand we have always known and trusted to build reliable products. This oven is built in a local factory in Adelaide.

Specifications

PRODUCT PROFILE

Domestic warranty details (yrs)	2
Oven fuel	electric
Materials/Colour	stainless steel
Controls of Oven	control knob
Cooling fan	No
Plinth colour (kickboard)	stainless steel
Anti tilt plate	Yes
Swept up hob	No
Front/rear controls	front
Warming drawer	No
Storage drawer	No

MAIN OVEN

Gross capacity litres	80
-----------------------	----

DIMENSIONS

PRODUCT DIMENSION

Total height (mm)	970
Total width (mm)	540
Total depth (mm)	630

SECOND OVEN OR GRILL

Fold down grill element	No
-------------------------	----

MAIN OVEN

Useable capacity litres	74
Oven function	fan forced
Cleaning	none
Oven liner	pyrolux high temperature enamel
Timer functions	Ringer
Lights	1
Layers of glass in door	2
Number of shelves	11
Number of shelf positions	14
Closed door grilling	No

ELECTRICAL CONNECTION

Connected load KW	9.6
Type of connection	hardwired

SECOND OVEN OR GRILL

Closed door grilling	No
Shelf support	side rack
Number of shelves	3

SHIPPING

Shipping Volume (m3)	0.520
Shipping Weight (Kg)	45
Pack Dimensions Height (mm)	1235

STUFFING QUANTITIES

40ft	128
40ft HC	152

ELEMENTS/BURNERS

Cooking zones	4
Pot sensors	No

SHIPPING

Pack Dimension Width (mm)	580
Pack Dimension Depth (mm)	726

COOKTOP (IF APPLICABLE)

PRODUCT PROFILE

Cook top type	ceramic
Materials/Colour	ceramic
Trim finish	stainless steel
Removable trim (for cleaning)	No
Wok included designed to fit cooktop	No
Knob finish	stainless steel

LEFT FRONT ZONE

Left front Watts	1500
Left front number of cooking zones	1

Boost function No

LEFT REAR ZONE

Left rear zone ceramic

Left rear watts 2000

Left rear number of cooking zones 1

RIGHT REAR ZONE

Right rear watts 1000

Right rear number of cooking zones 1

RIGHT FRONT ZONE

Right front Watts 1500

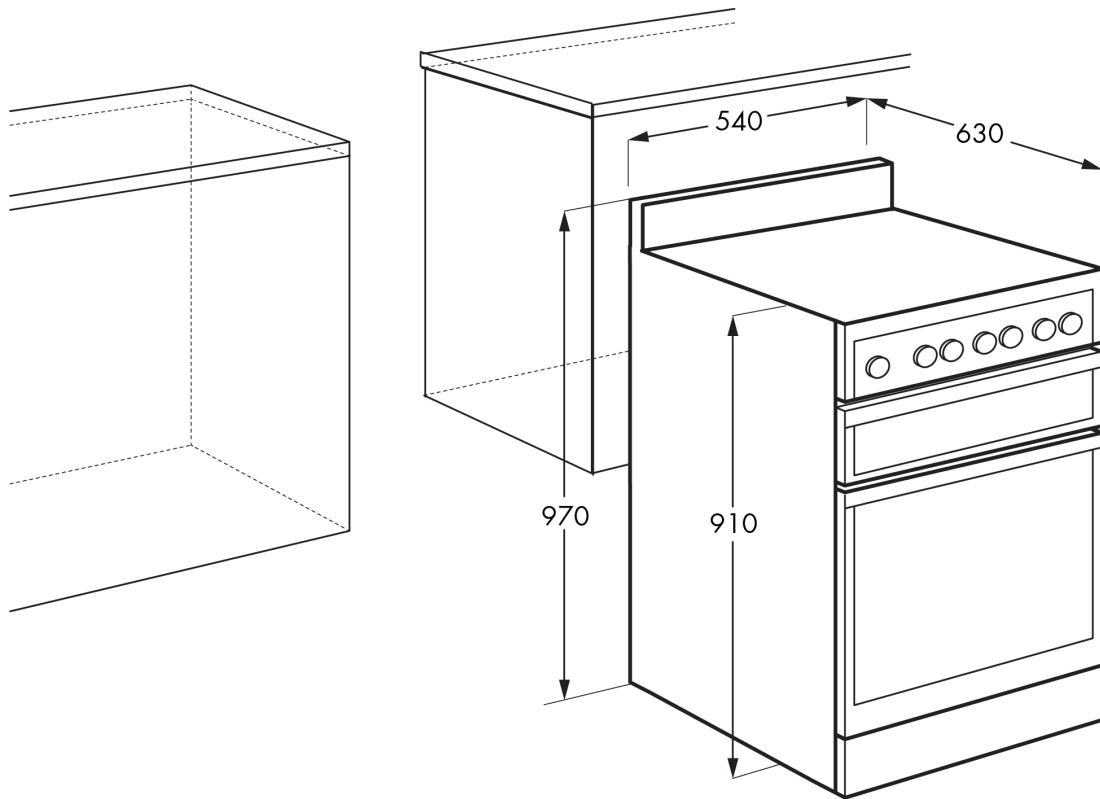
Right front number of cooking zones 1

CONTROLS

Position of controls front

Dimensions

IMPORTANT These dimensions are a guide only. All measurements are in millimetres (mm). For complete installation instructions, refer to the manual provided with product.



Terms and Conditions

IMPORTANT

This is a guide of product dimensions only. For complete installation instructions, refer to the manual provided with product.

PRODUCT INFORMATION

The descriptors and illustrations in this publication apply to the specific products and models described as at the date of issue. Under our policy of continuous product development, product specifications may change without notice. Prospective purchasers should therefore check with their retailer to ensure this publication correctly describes the products that are being offered for sale. All information supplied is to be used for general reference purposes only and is on the understanding that Electrolux Home Products Pty Ltd (Australia) and Electrolux (NZ) Ltd (New Zealand) will not be liable for any loss, liability or damage of whatever kind arising as a result of reliance on such information. Colours of products illustrated are as close as printing limitations allow. Electrolux will at all times comply with its obligations pursuant to law including Trade Practices (Australian Consumer Law) Act and Regulations.

WARRANTY

This warranty only applies to Appliances purchased and used in Australia or New Zealand and used in normal domestic applications and is in addition to (and does not exclude, restrict, or modify in any way) any non-excludable statutory warranties in Australia or New Zealand. All warranties are subject to the conditions set out in the warranty card accompanying the product when purchased.

ELECTROLUX HOME PRODUCTS AUSTRALIA

telephone: 1300 363 640

fax: 1800 350 067

email: customercare@electrolux.com.au

web: www.electrolux.com.au

ELECTROLUX HOME PRODUCTS NEW ZEALAND

telephone: 09 573 2230

fax: 09 573 2221

email: customercare@electrolux.co.nz

web: www.electrolux.co.nz